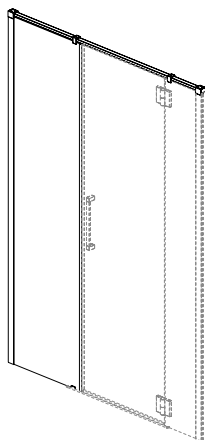
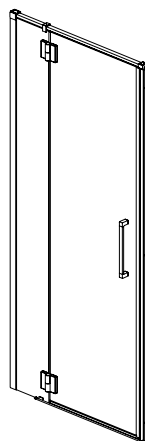


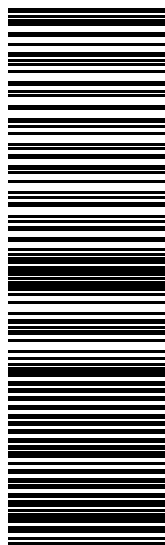
KNDJ2L(P)/SPACE



DJ2L(P)/SPACE+SS2/SPACE



DJ2L(P)/SPACE

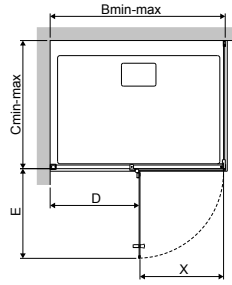
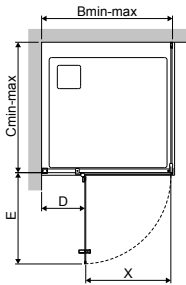
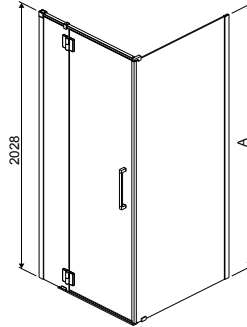
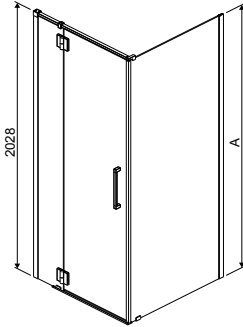


(01)20000001866869(94)AIIBlank

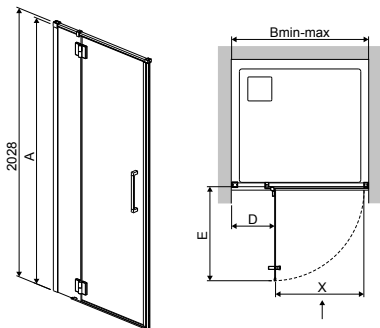
SPACE LINE

- PL** Instrukcja montażu
- DE** Montageanweisung
- GB** Installation instruction
- FR** Instructions de montage
- RU** Инструкция монтажа
- CZ** Návod k montáži
- RO** Instrucțiuni de montaj
- HU** Útmutató
- SK** Návod na montáž

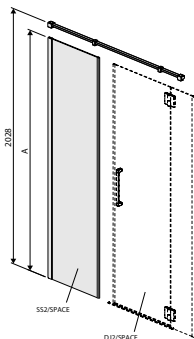
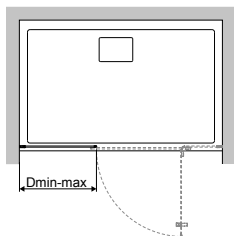
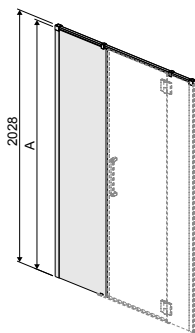
KNDJ2L(P)/SPACE, DJ2L(P)/SPACE, SS2/SPACE



	A	B	C	D	E	X
KNDJ2L/SPACE-80	2003	765-785	765-785	183	615	575
KNDJ2L/SPACE-90	2003	865-885	865-885	283	615	575
KNDJ2L/SPACE-100	2003	965-985	965-985	383	615	575
KNDJ2L/SPACE-80x90	2003	865-885	765-785	283	615	575
KNDJ2L/SPACE-80x100	2003	965-985	765-785	383	615	575
KNDJ2L/SPACE-80x110	2003	1065-1085	765-785	383	715	675
KNDJ2L/SPACE-80x120	2003	1165-1185	765-785	483	715	675
KNDJ2L/SPACE-90x80	2003	765-785	865-885	183	615	575
KNDJ2L/SPACE-90x100	2003	965-985	865-885	383	615	575
KNDJ2L/SPACE-90x110	2003	1065-1085	865-885	383	715	675
KNDJ2L/SPACE-90x120	2003	1165-1185	865-885	483	715	675
KNDJ2L/SPACE-100x80	2003	765-785	965-985	183	615	575
KNDJ2L/SPACE-100x90	2003	865-885	965-985	283	615	575
KNDJ2L/SPACE-100x110	2003	1065-1085	965-985	383	715	675
KNDJ2L/SPACE-100x120	2003	1165-1185	965-985	483	715	675

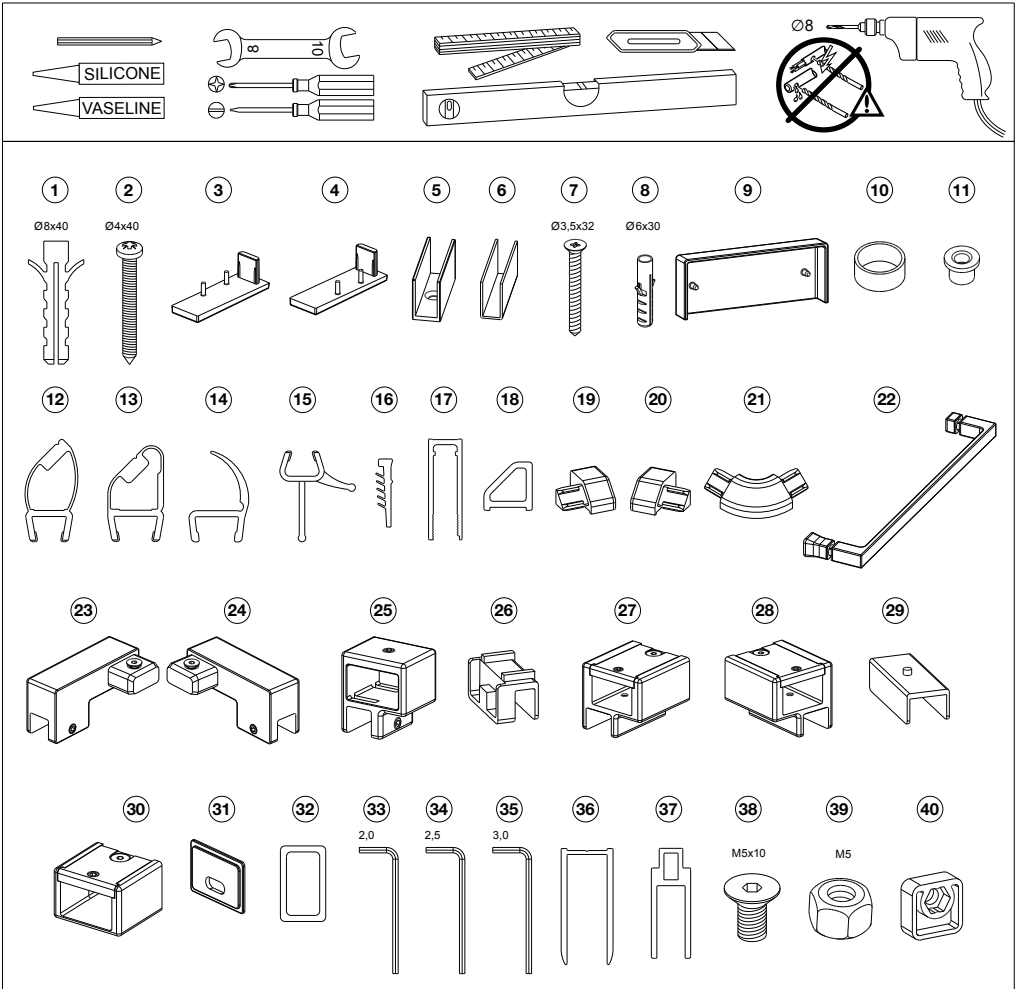


	A	B	D	E	X
DJ2L/SPACE-80	2003	785-810	183	615	575
DJ2P/SPACE-80	2003	785-810	183	615	575
DJ2L/SPACE-90	2003	885-910	283	615	575
DJ2P/SPACE-90	2003	885-910	283	615	575
DJ2L/SPACE-100	2003	985-1010	383	615	575
DJ2P/SPACE-100	2003	985-1010	383	615	575
DJ2L/SPACE-110	2003	1085-1110	383	715	675
DJ2P/SPACE-110	2003	1085-1110	383	715	675
DJ2L/SPACE-120	2003	1185-1210	483	715	675
DJ2P/SPACE-120	2003	1185-1210	483	715	675

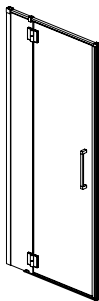


	A	D
SS2/SPACE-20	2003	200-220
SS2/SPACE-30	2003	300-320
SS2/SPACE-40	2003	400-420
SS2/SPACE-50	2003	500-520
SS2/SPACE-60	2003	600-620

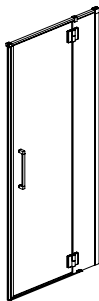
KNDJ2L(P)/SPACE, DJ2L(P)/SPACE, SS2/SPACE



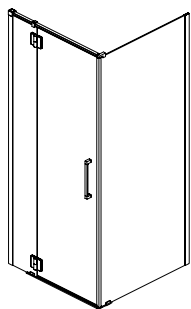
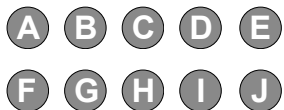
	1	2	3	4	5	6	7	8	9	10	11	12	13	14	15	16	17	18	19	20	21	22	23	24	25	26	27	28	29	30	31	32	33	34	35	36	37	38	39	40			
KNDJ2L/SPACE	7	7	2	2	2	2	2	4	2	8	1	1	1	1	2+1	2	1+1	1	1	1	1	1	-	1	2	1	-	1	-	1	1	1	1	1	1	1	-	-	-	-	-		
KNDJ2P/SPACE	7	7	2	2	2	2	2	4	2	8	1	1	1	1	2+1	2	1+1	1	1	1	1	1	-	1	2	-	1	1	-	1	1	1	1	1	1	1	-	-	-	-	-		
DJ2L/SPACE	8	8	1	1	1	1	1	4	2	8	1+1	-	1	1	1+1	1	1	1	1	1	-	1	-	1	1	-	1	1	2	1	1	1	1	1	1	1	1	1	1	4	4	4	
DJ2P/SPACE	8	8	1	1	1	1	1	4	2	8	1+1	-	1	1	1+1	1	1	1	1	1	-	1	-	1	1	-	1	1	1	2	1	1	1	1	1	1	1	1	1	1	4	4	4
SS2/SPACE	5	5	1	1	1	1	1	-	-	-	1	1	-	-	1+1	1	1	1	1	1	-	-	-	2	1	1	2	-	2	1	-	1	-	1	-	-	-	-	-	-	-		



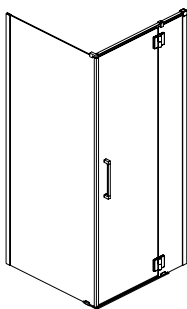
DJ2L/SPACE



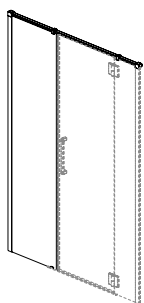
DJ2P/SPACE



KNDJ2L/SPACE



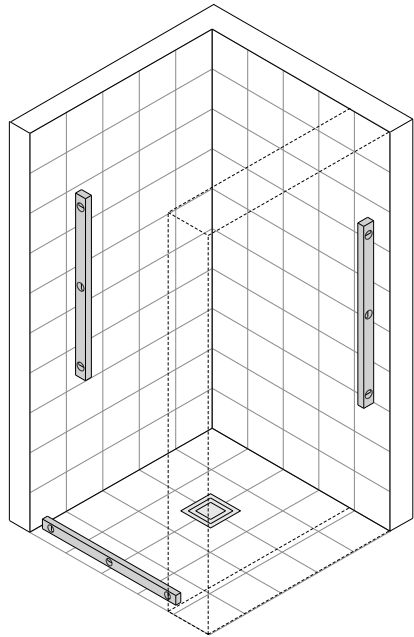
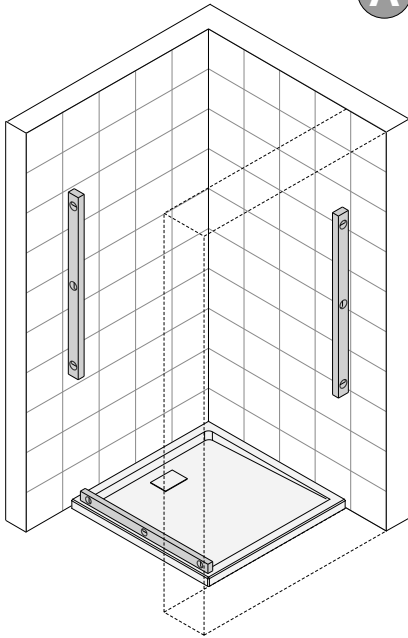
KNDJ2P/SPACE



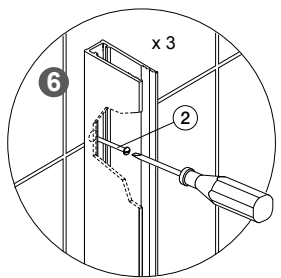
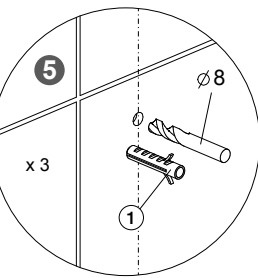
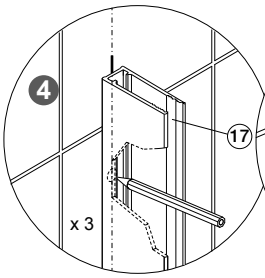
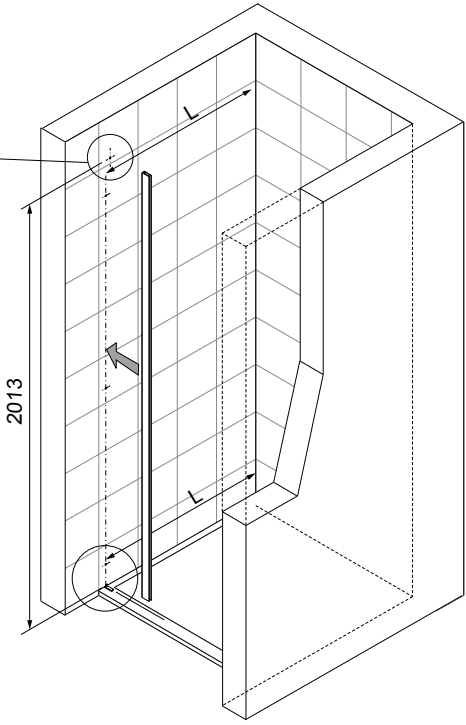
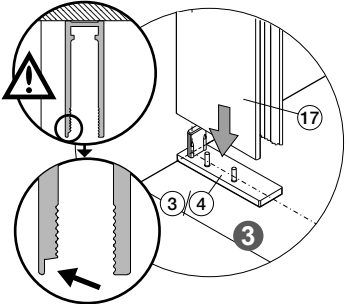
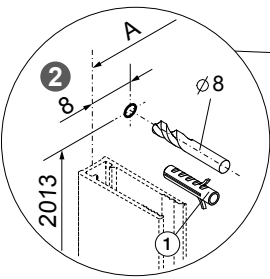
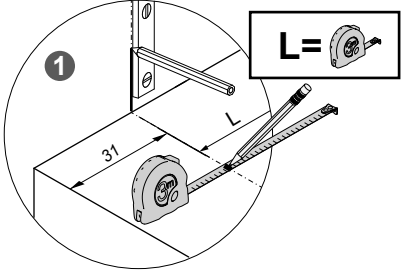
SS2+DJ2L/SPACE



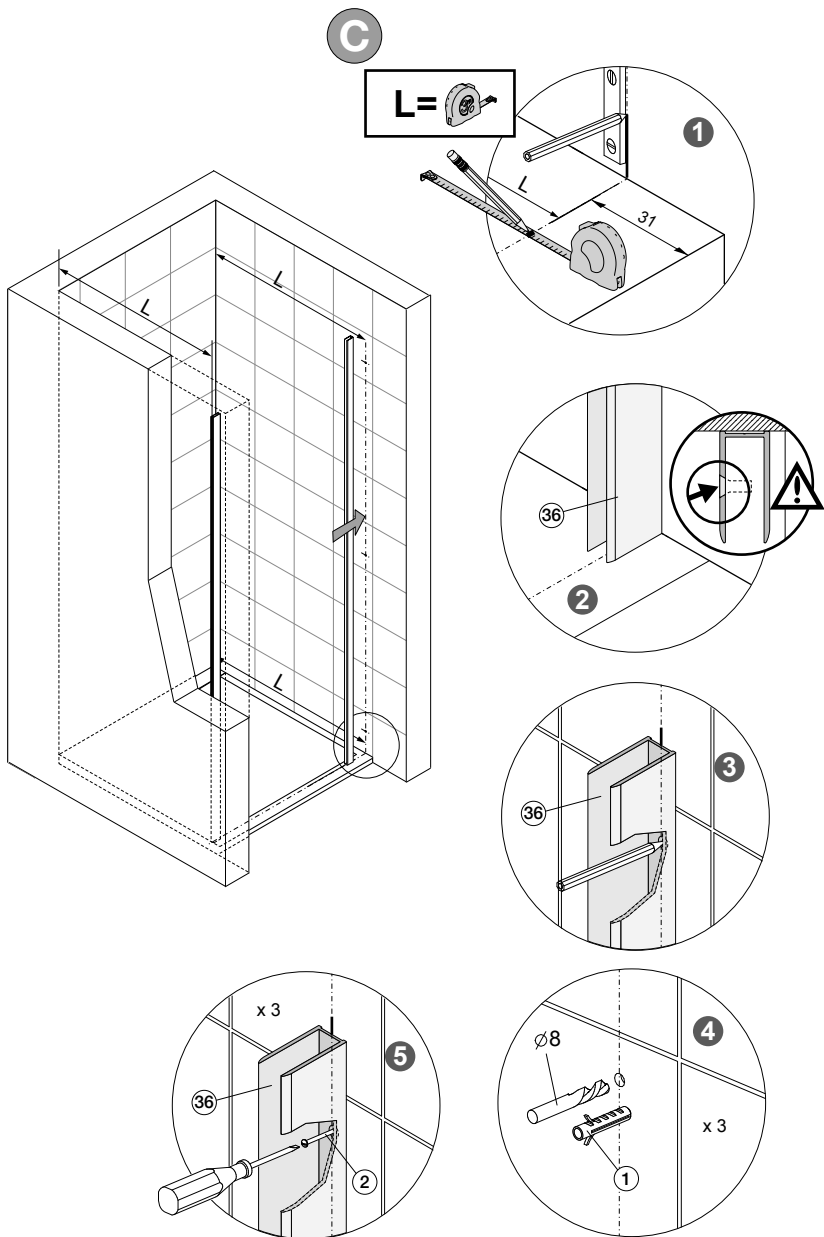
A



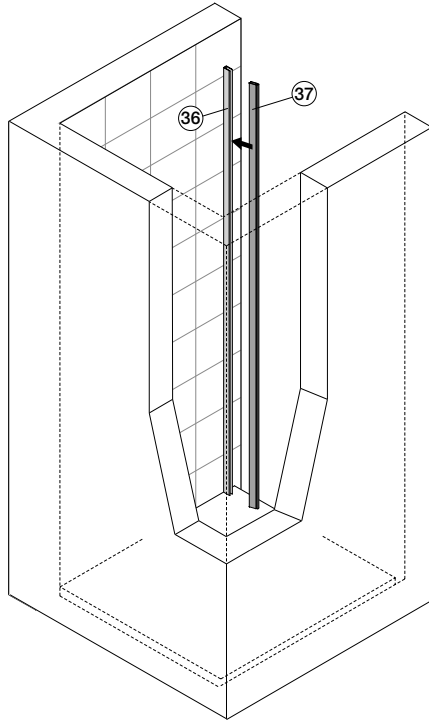
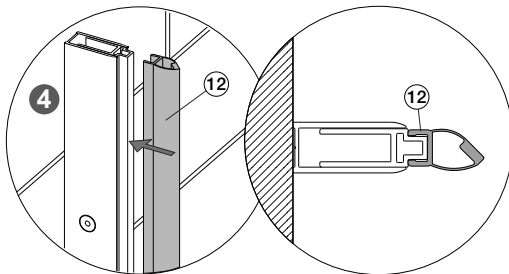
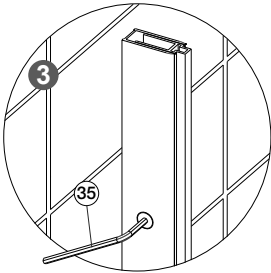
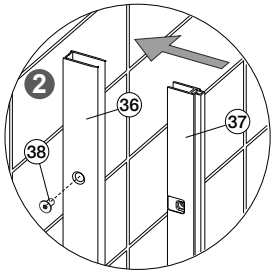
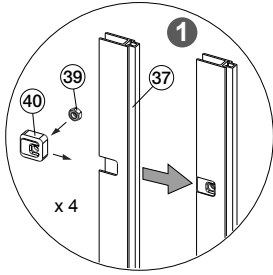
B



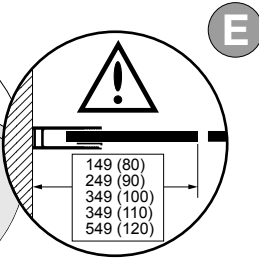
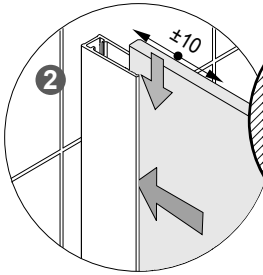
KNDJ2L(P)/SPACE, DJ2L(P)/SPACE, SS2/SPACE



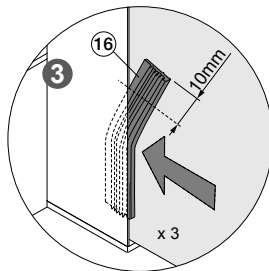
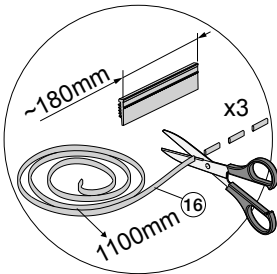
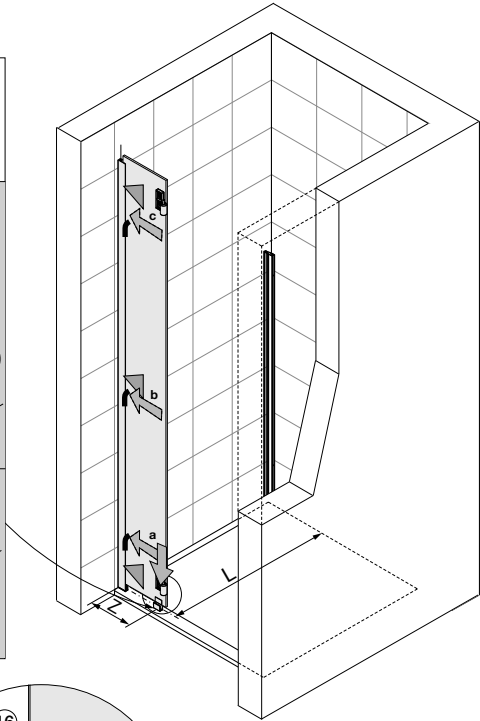
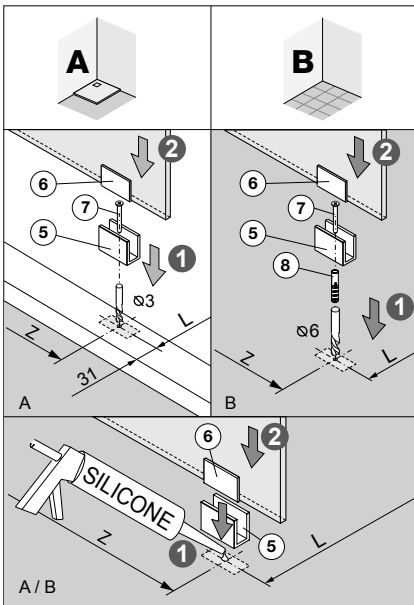
D



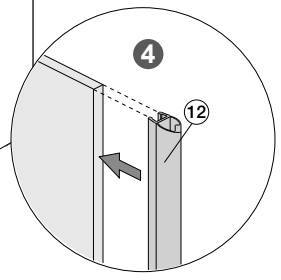
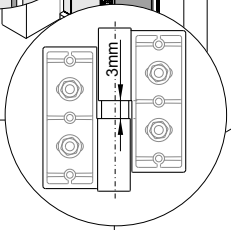
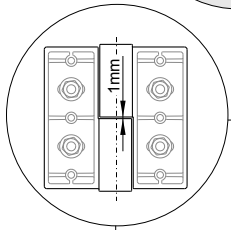
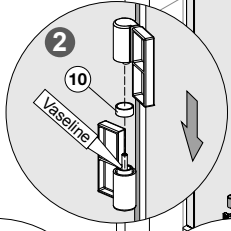
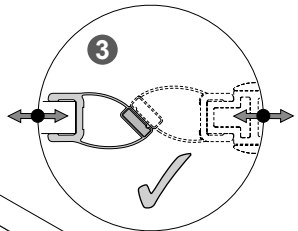
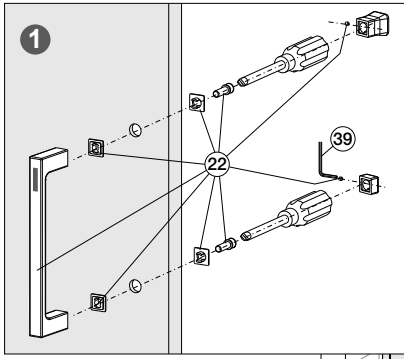
KNDJ2L(P)/SPACE, DJ2L(P)/SPACE, SS2/SPACE



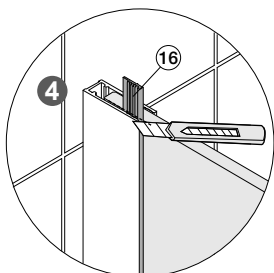
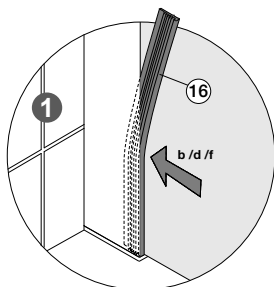
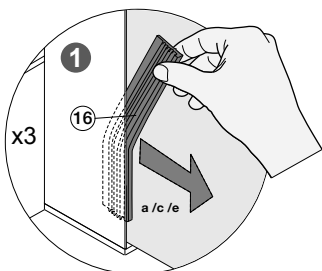
	Z [mm]
800	110
900	210
1000	310
1100	310
1200	410



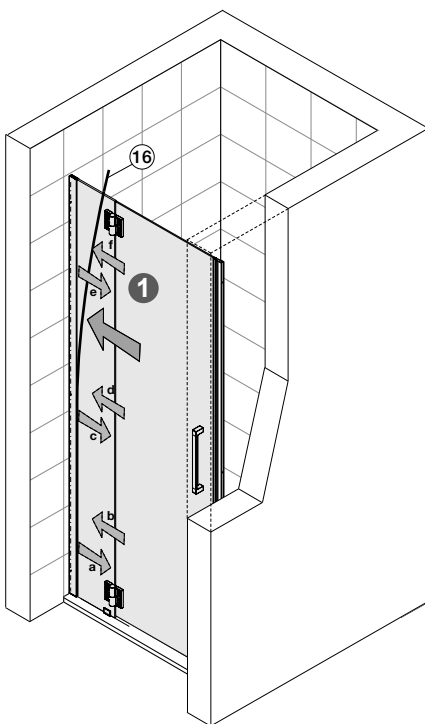
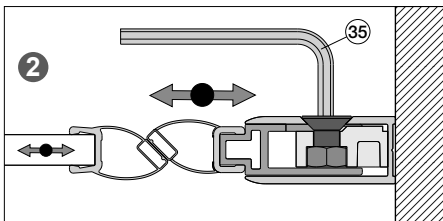
F

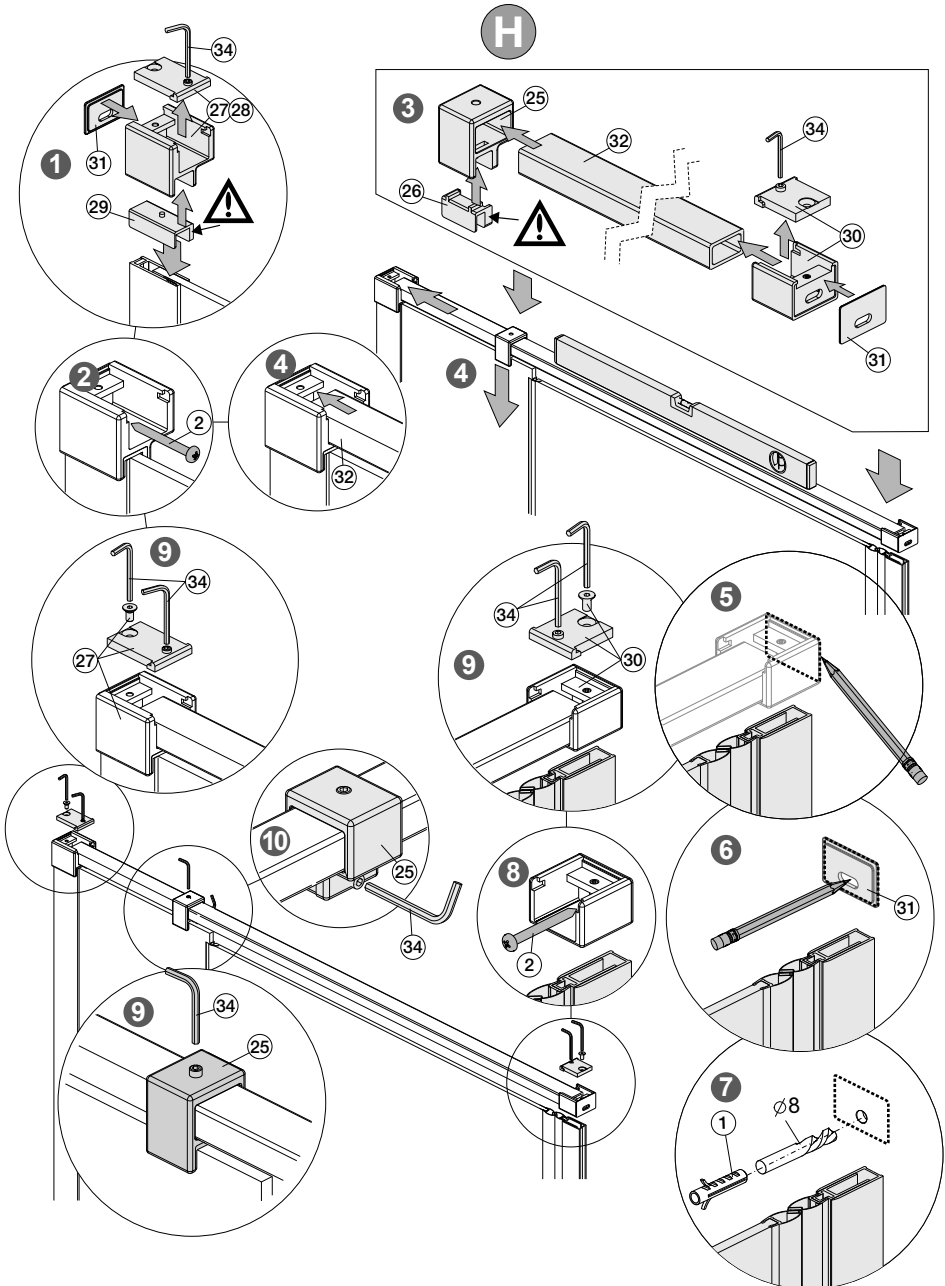


KNDJ2L(P)/SPACE, DJ2L(P)/SPACE, SS2/SPACE

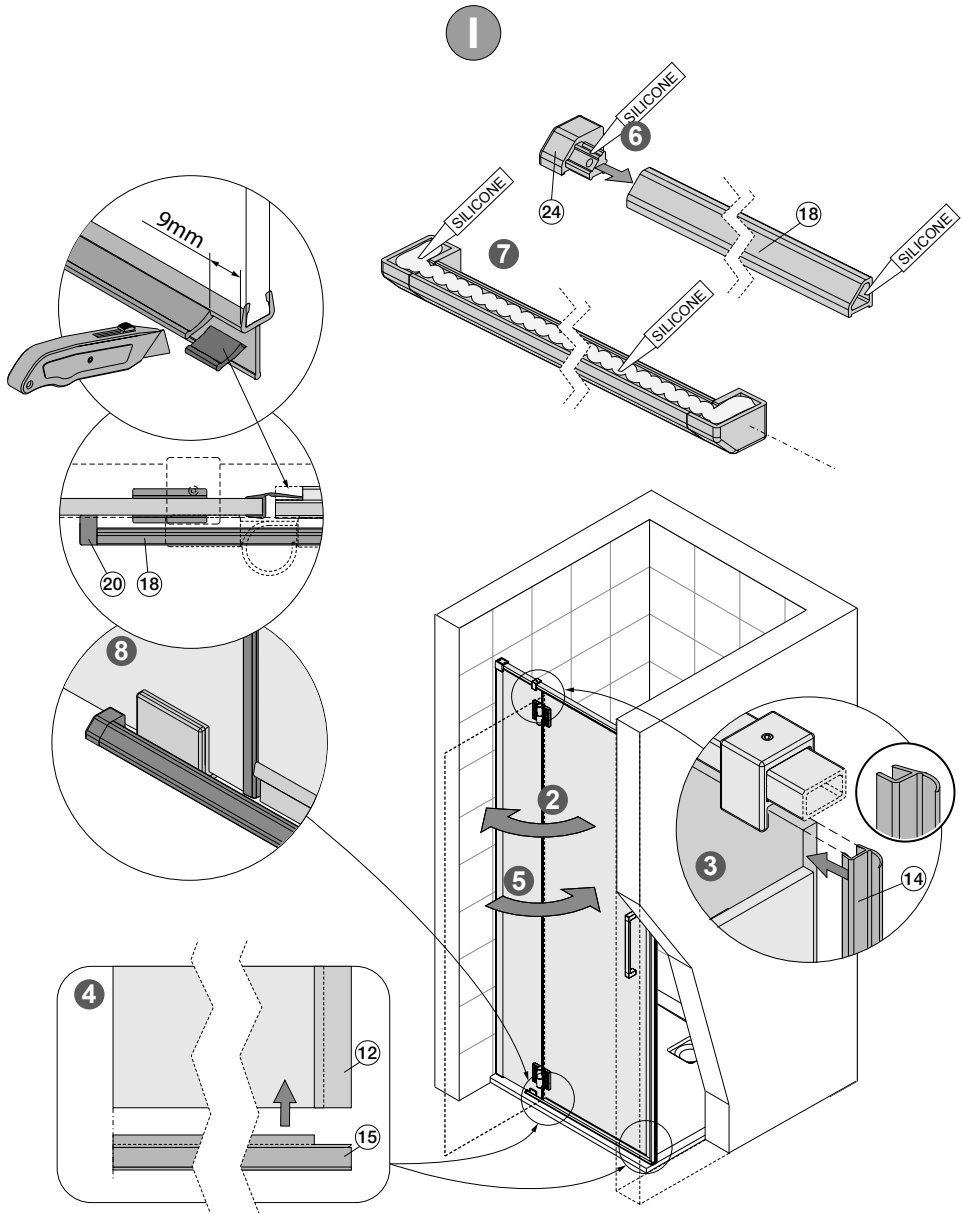


G

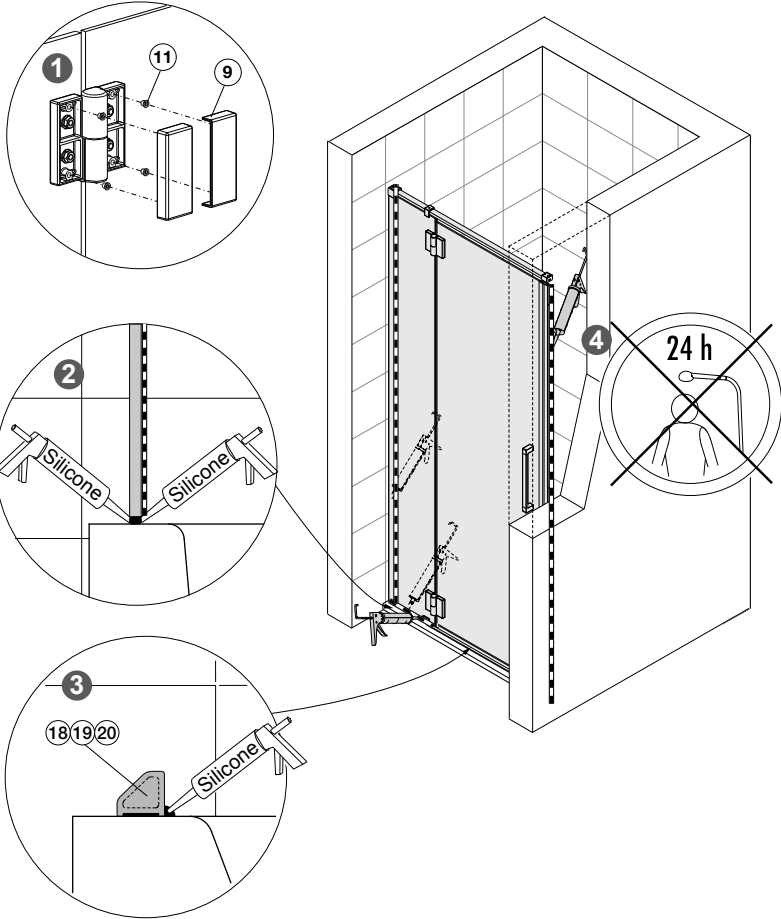


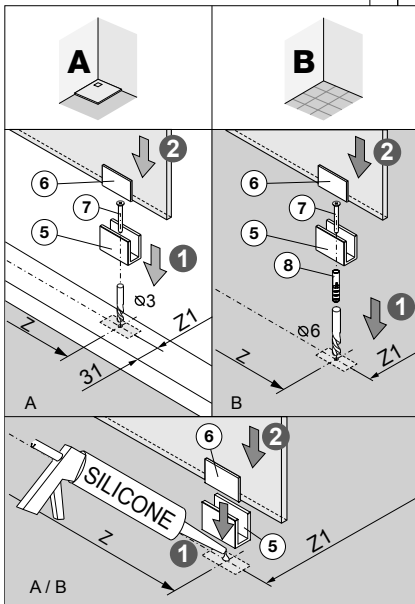
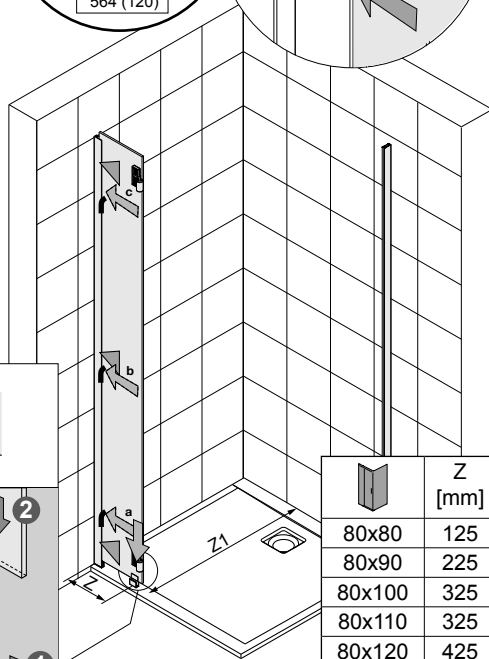
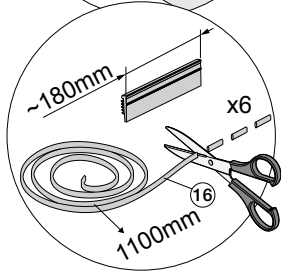
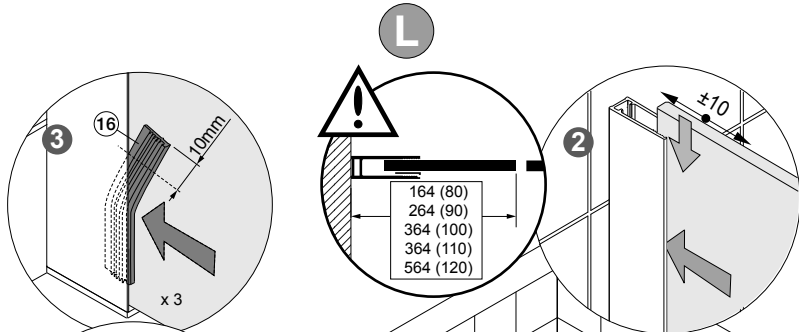



KNDJ2L(P)/SPACE, DJ2L(P)/SPACE, SS2/SPACE



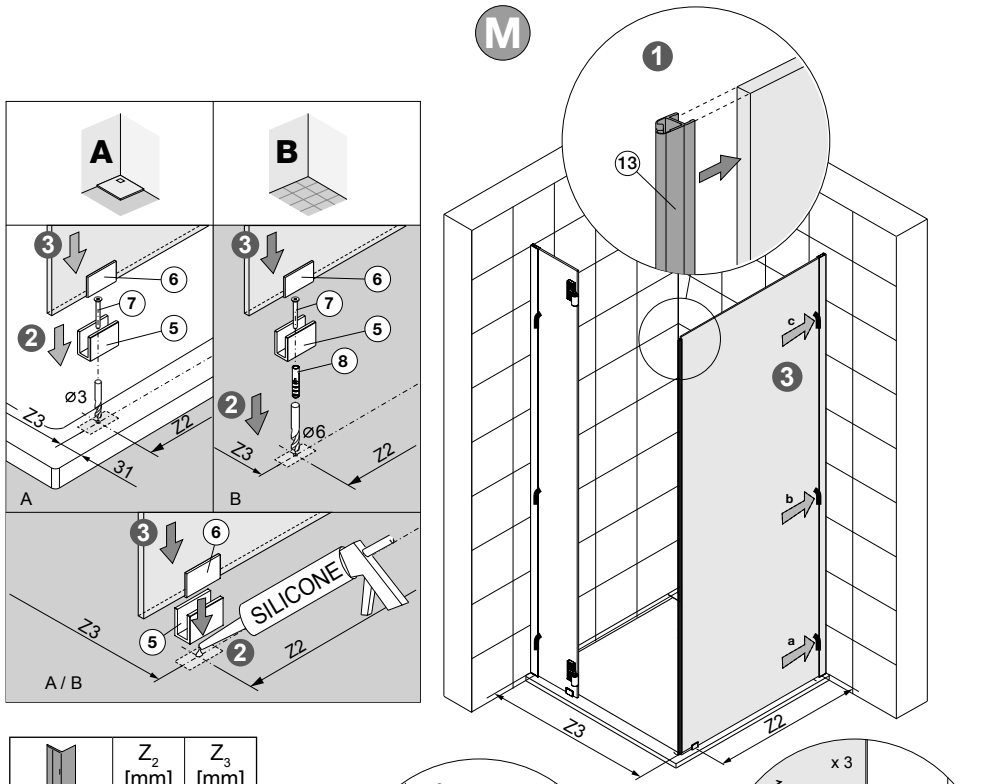
J




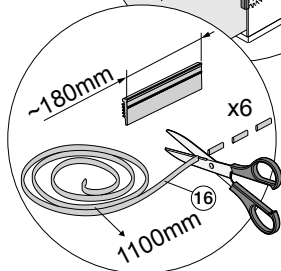
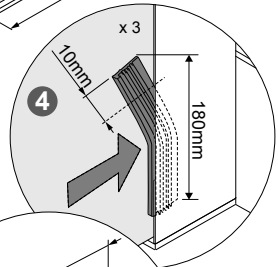
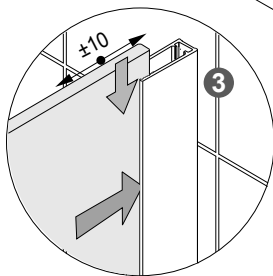


	Z [mm]	Z ₁ [mm]
80x80	125	768
80x90	225	768
80x100	325	768
80x110	325	768
80x120	425	768
90x80	125	868
90x90	225	868
90x100	325	868
90x110	325	868
90x120	425	868
100x80	125	968
100x90	225	968
100x100	325	968
100x110	325	968
100x120	425	968

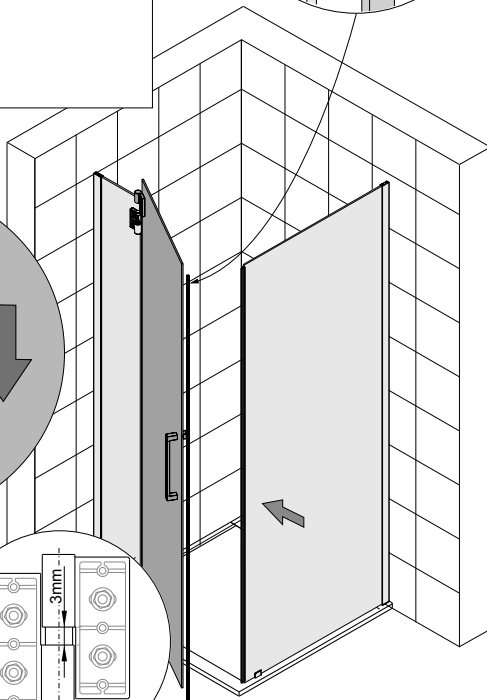
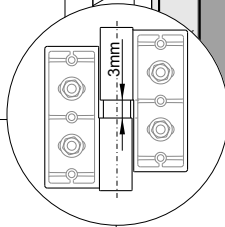
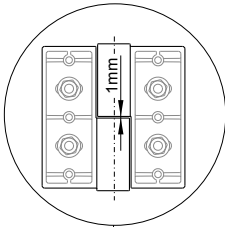
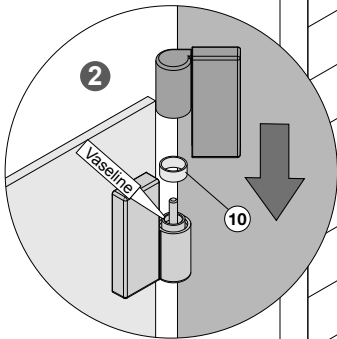
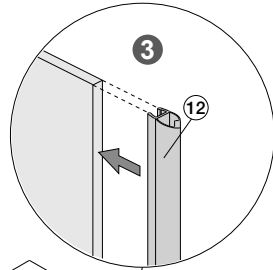
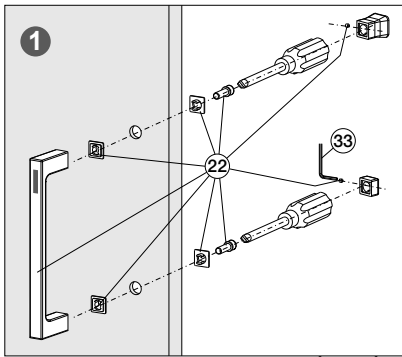
KNDJ2L(P)/SPACE, DJ2L(P)/SPACE, SS2/SPACE



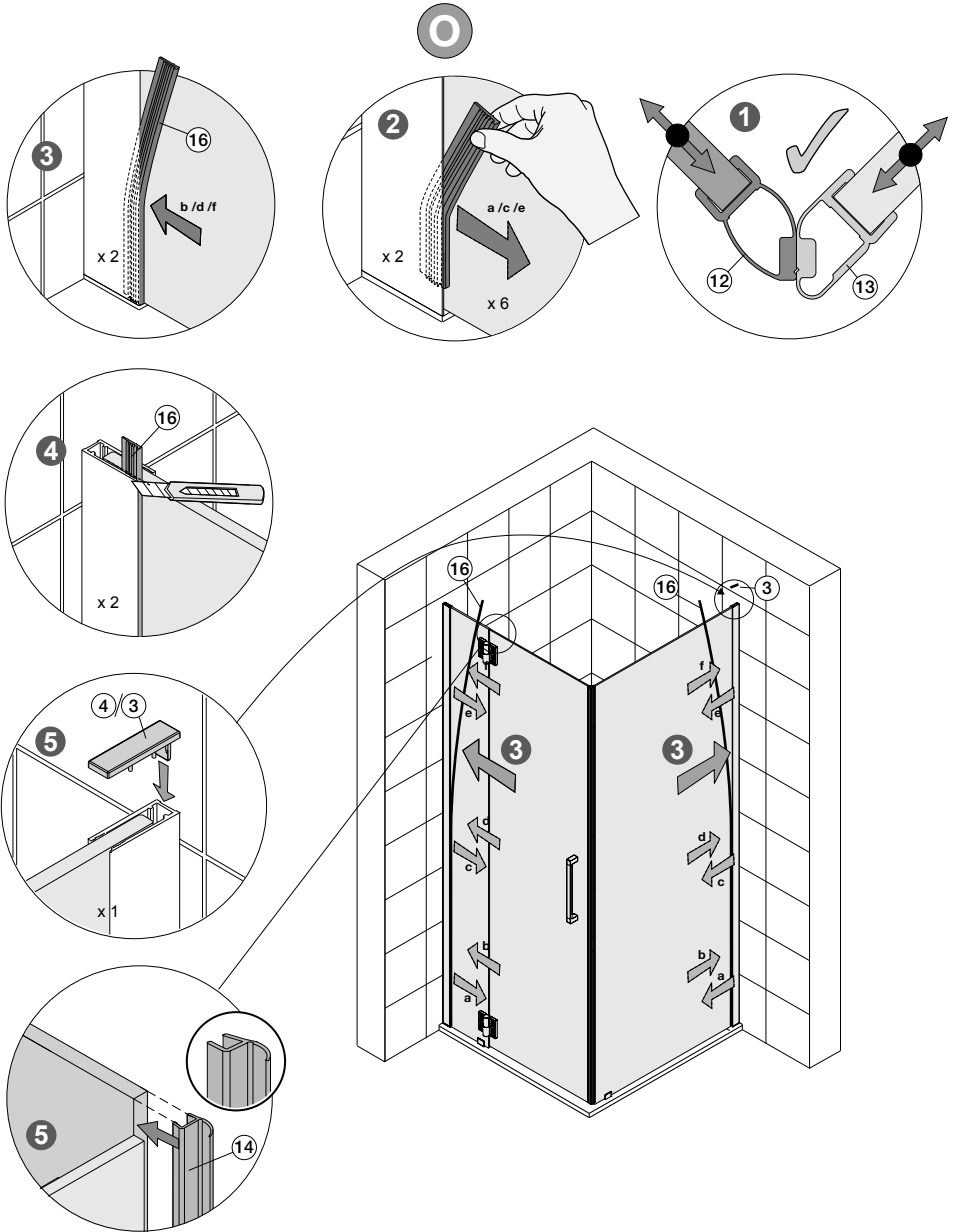
	Z ₂ [mm]	Z ₃ [mm]
80x80	700	768
80x90	700	868
80x100	700	968
80x110	700	1068
80x120	700	1168
90x80	800	768
90x90	800	868
90x100	800	968
90x110	800	1068
90x120	800	1168
100x80	900	768
100x90	900	868
100x100	900	968
100x110	900	1068
100x120	900	1168



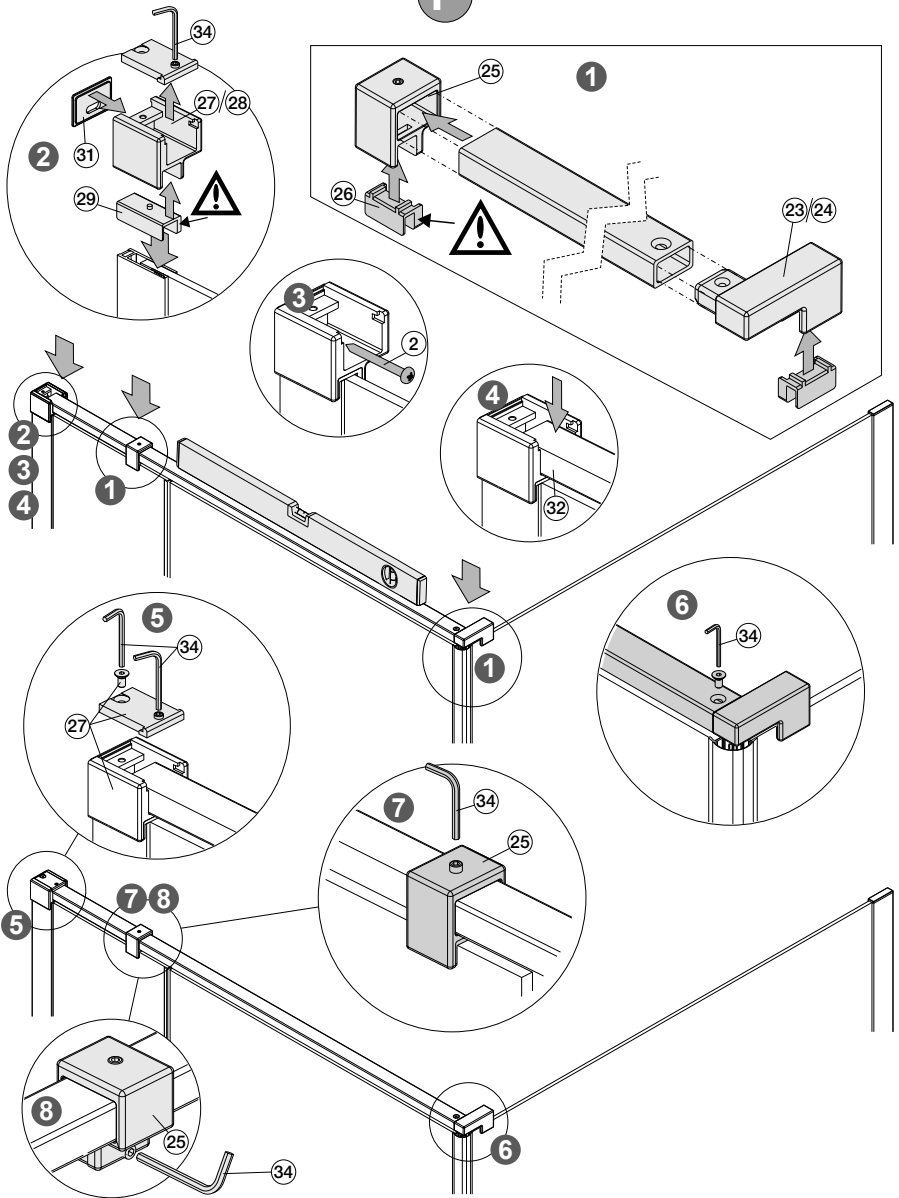
N



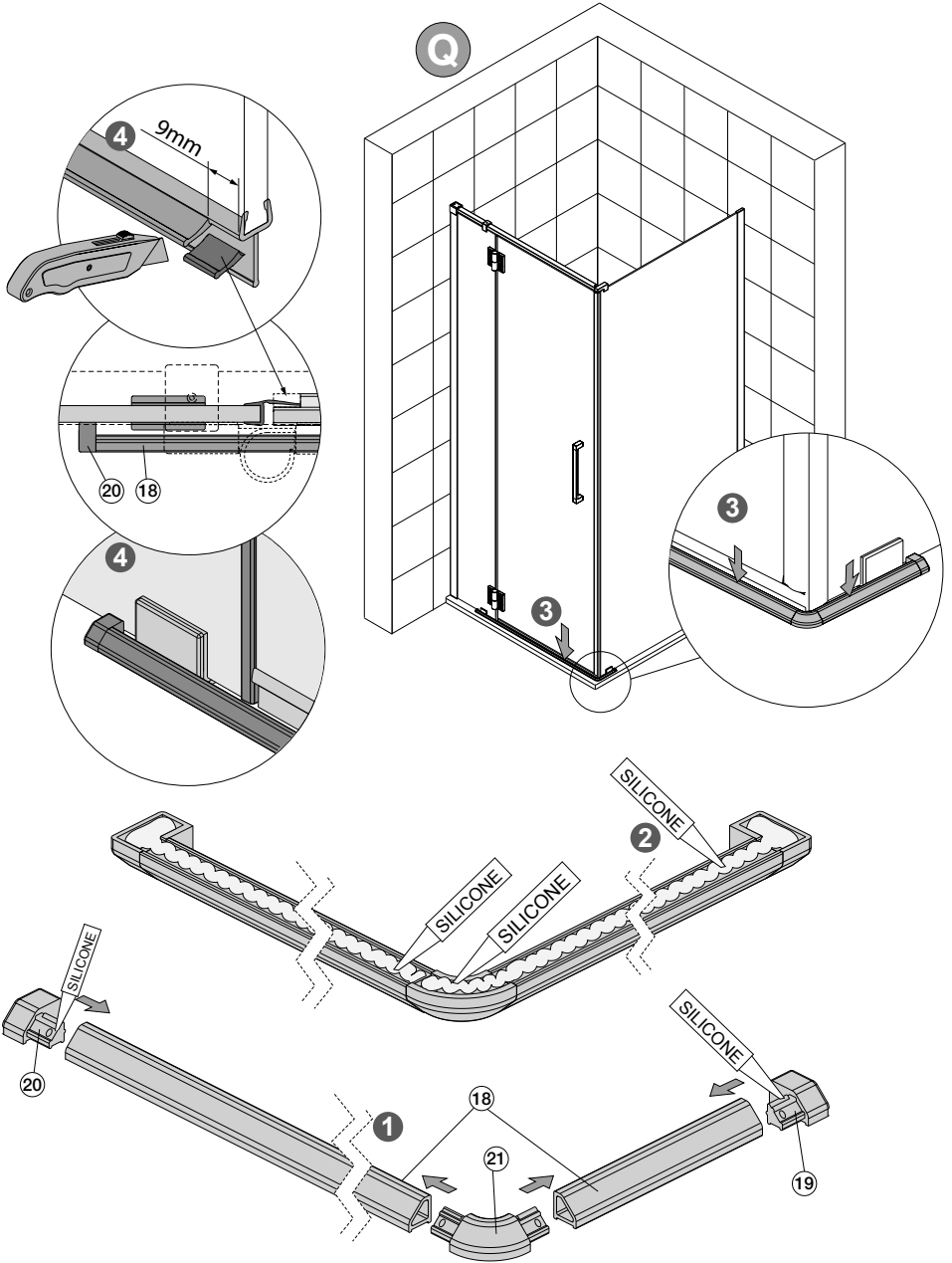
KNDJ2L(P)/SPACE, DJ2L(P)/SPACE, SS2/SPACE



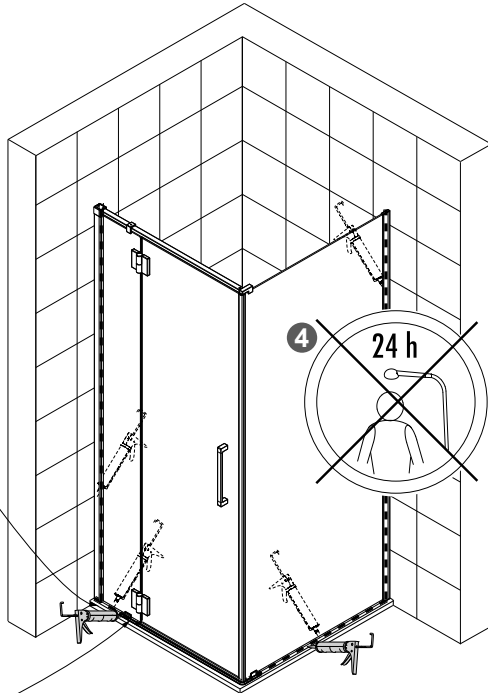
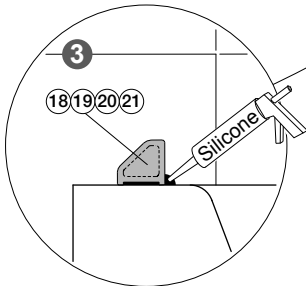
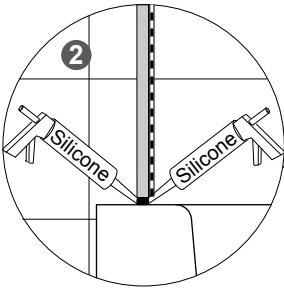
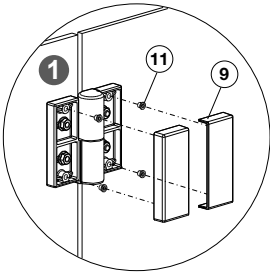
P



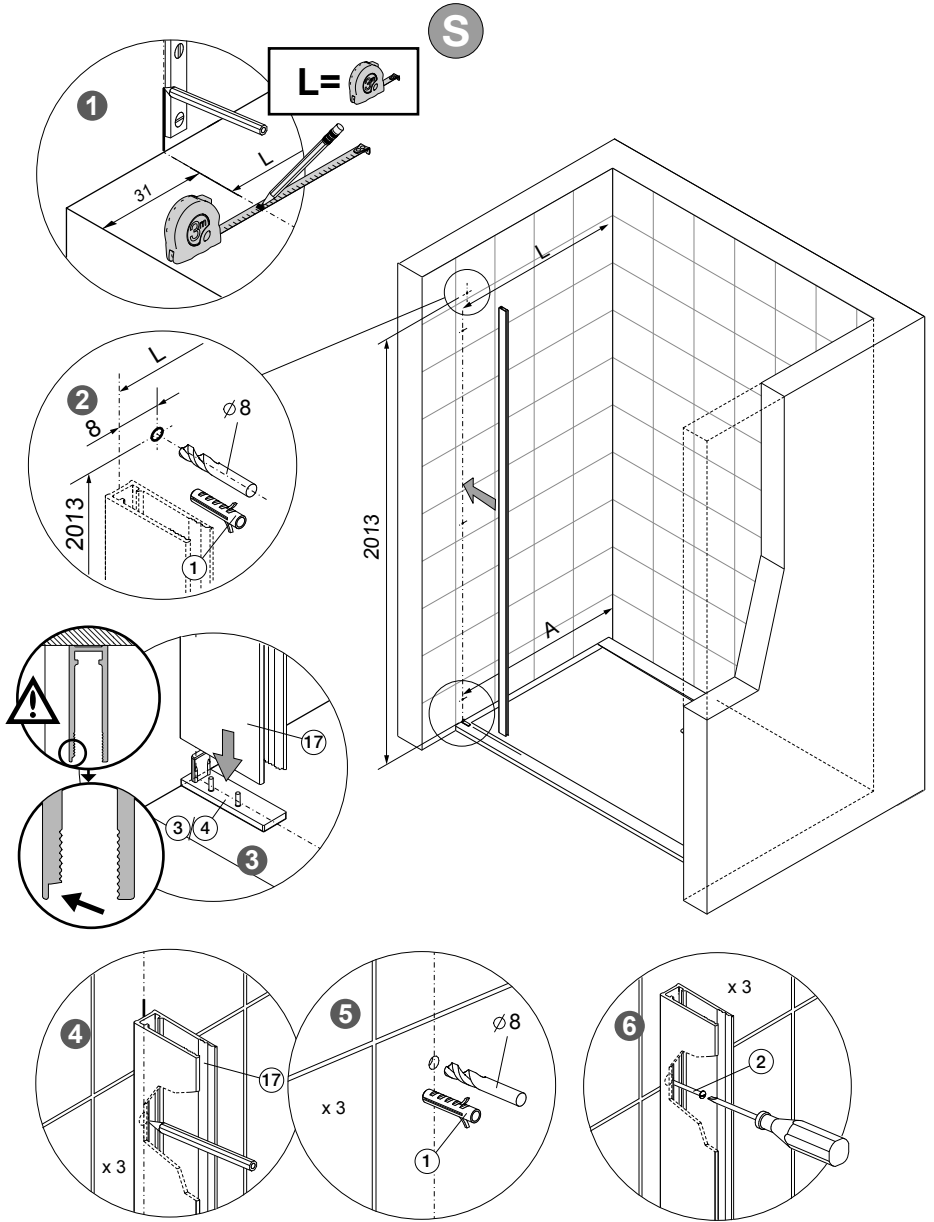
KNDJ2L(P)/SPACE, DJ2L(P)/SPACE, SS2/SPACE



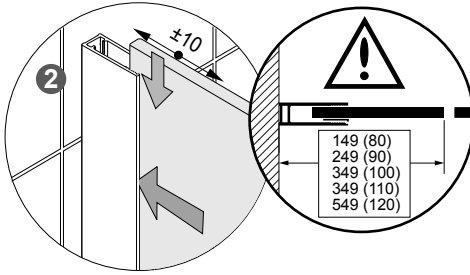
R



KNDJ2L(P)/SPACE, DJ2L(P)/SPACE, SS2/SPACE

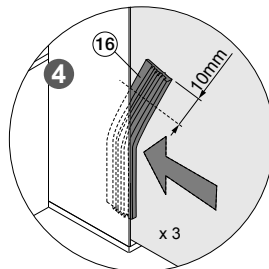
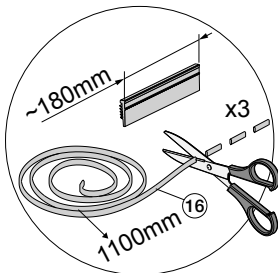
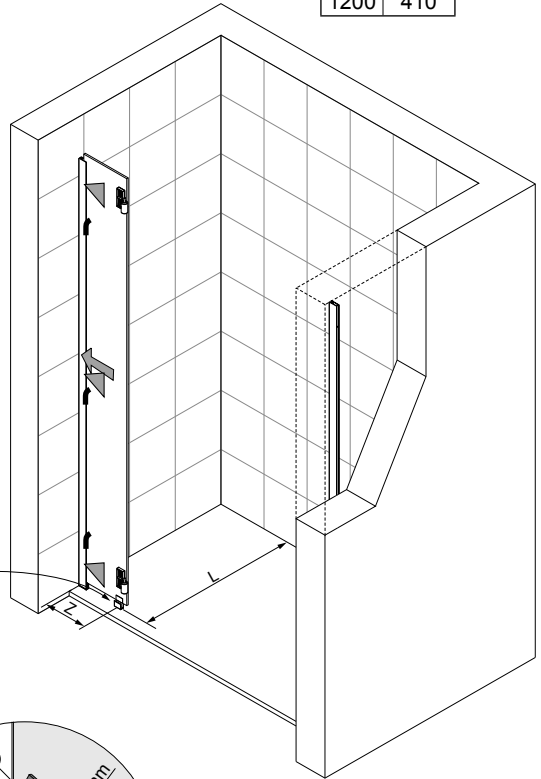
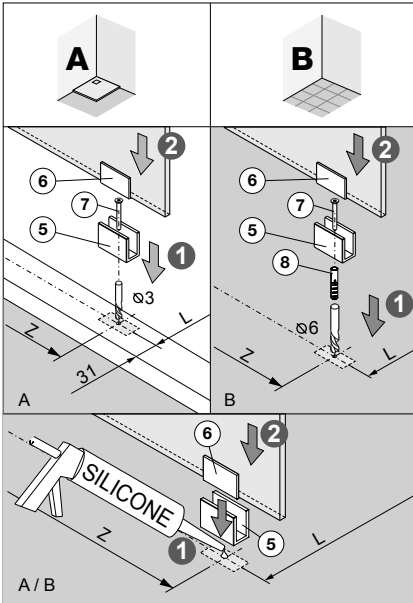


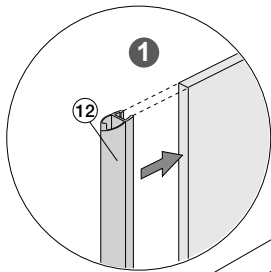
KNDJ2L(P)/SPACE, DJ2L(P)/SPACE, SS2/SPACE



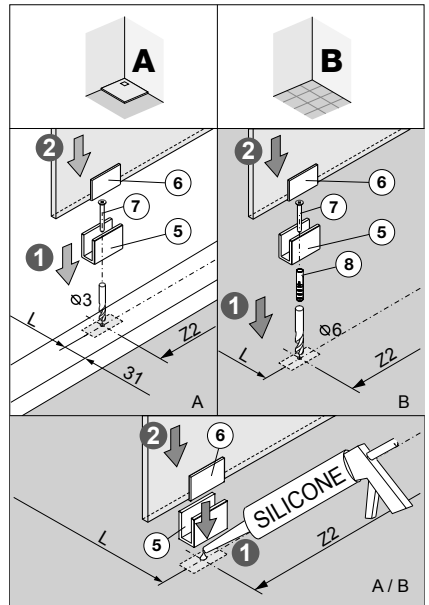
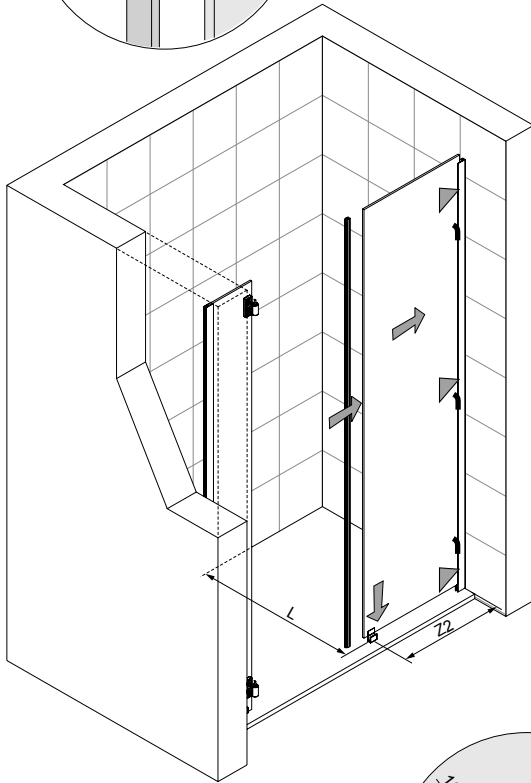
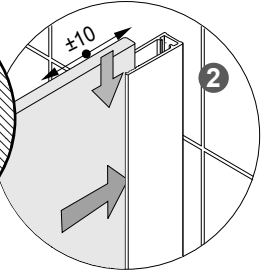
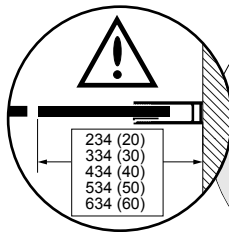
U

	Z [mm]
800	110
900	210
1000	310
1100	310
1200	410

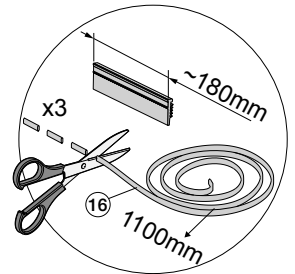
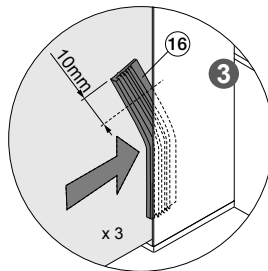




V

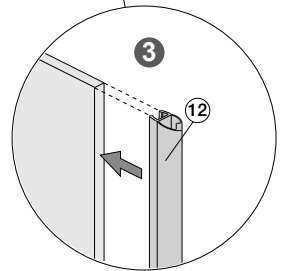
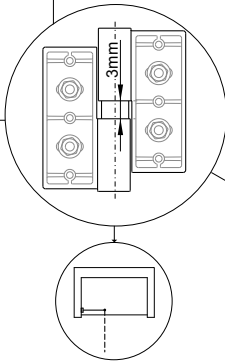
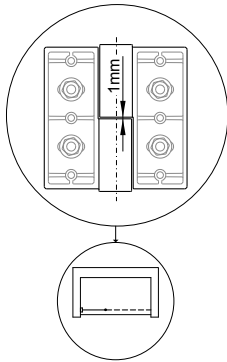
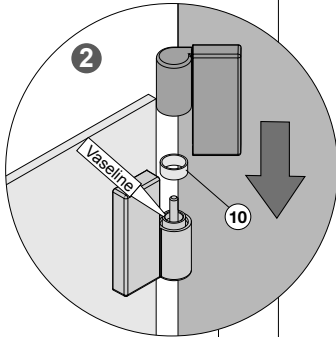
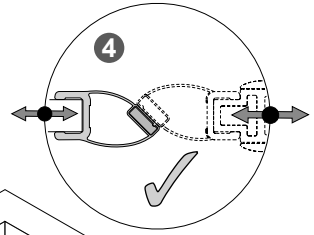
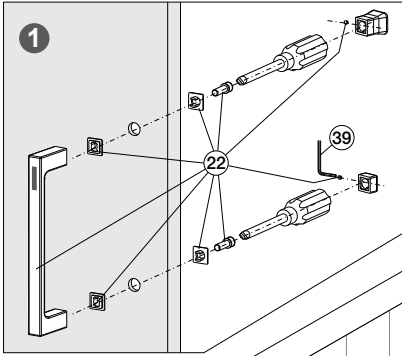


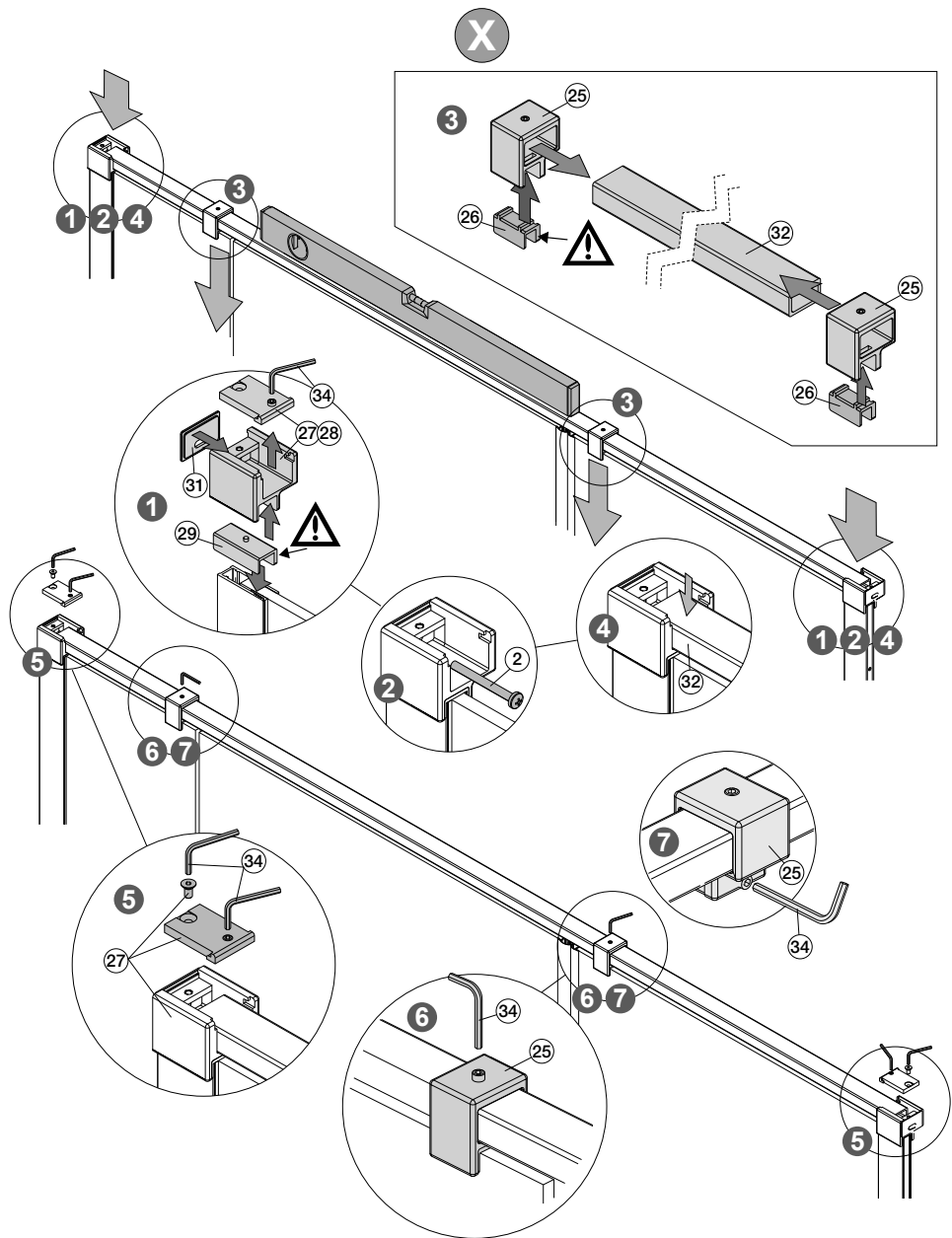
	Z2 [mm]
SS2-20	195
SS2-30	295
SS2-40	395
SS2-50	495
SS2-60	595



KNDJ2L(P)/SPACE, DJ2L(P)/SPACE, SS2/SPACE

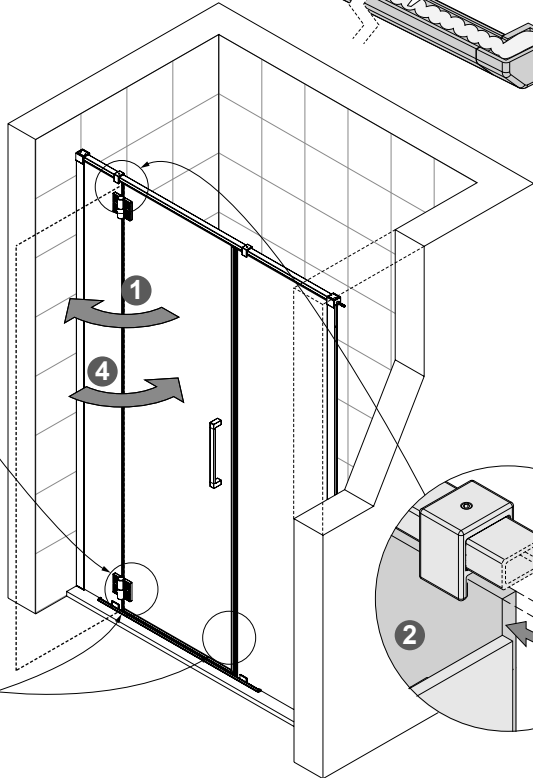
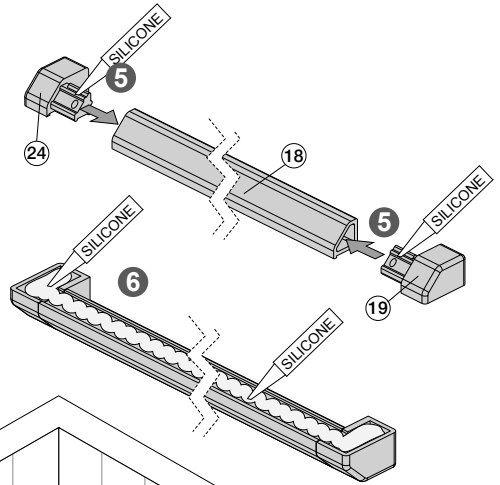
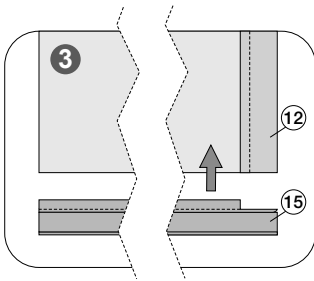
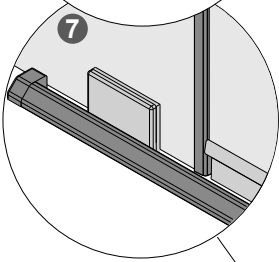
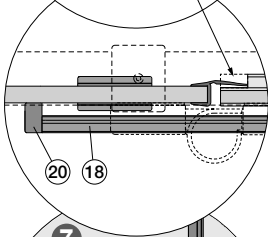
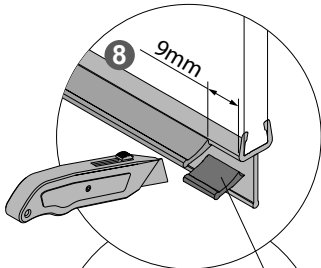
W



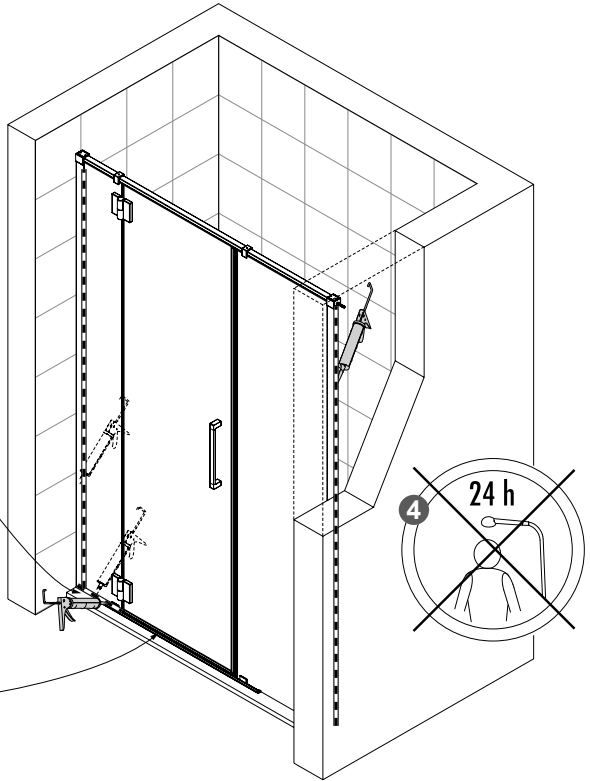
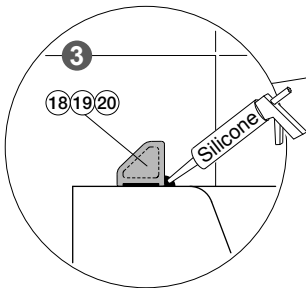
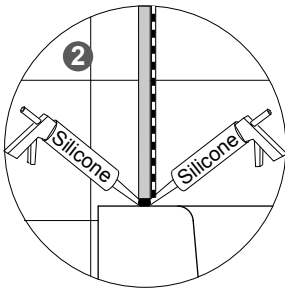
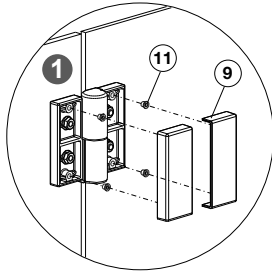


KNDJ2L(P)/SPACE, DJ2L(P)/SPACE, SS2/SPACE

Y

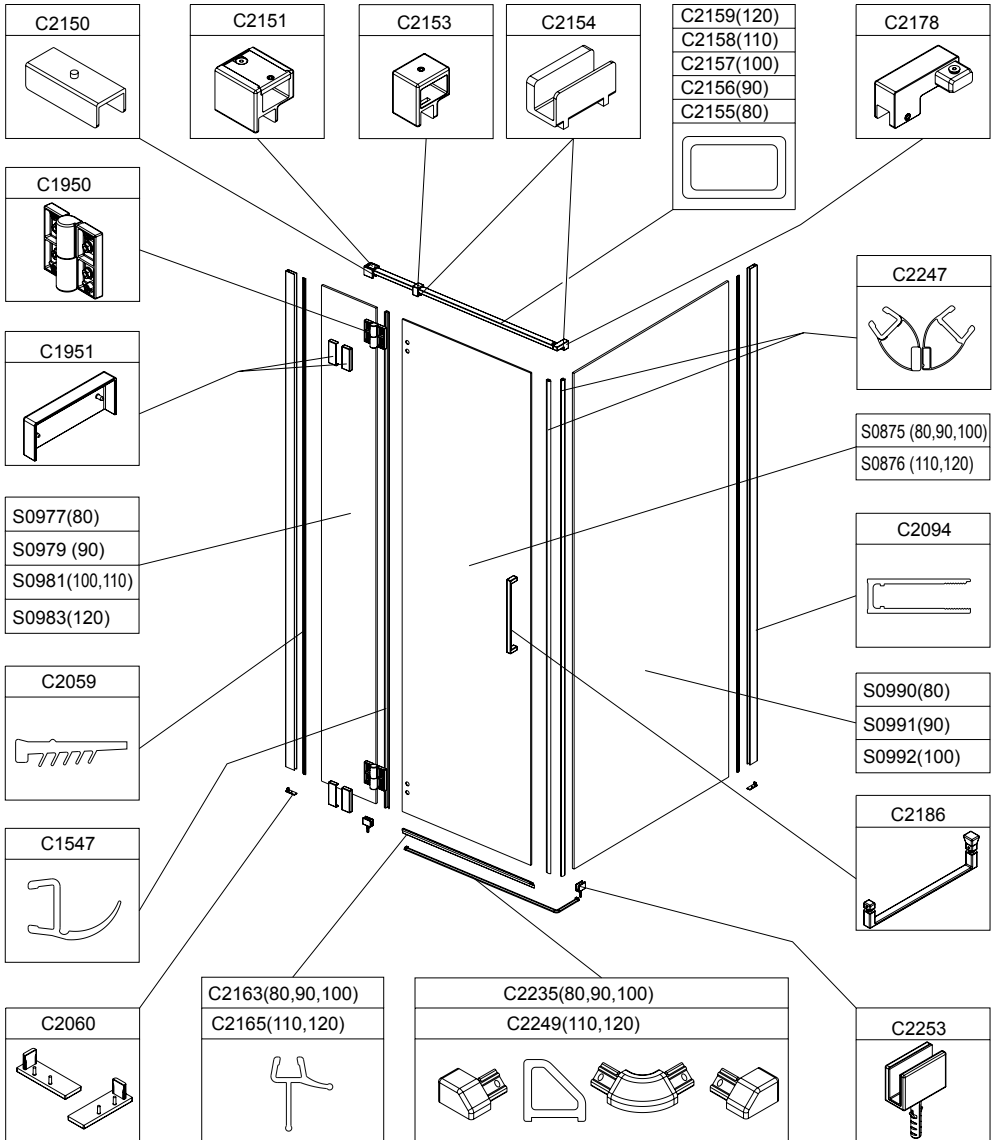


Z

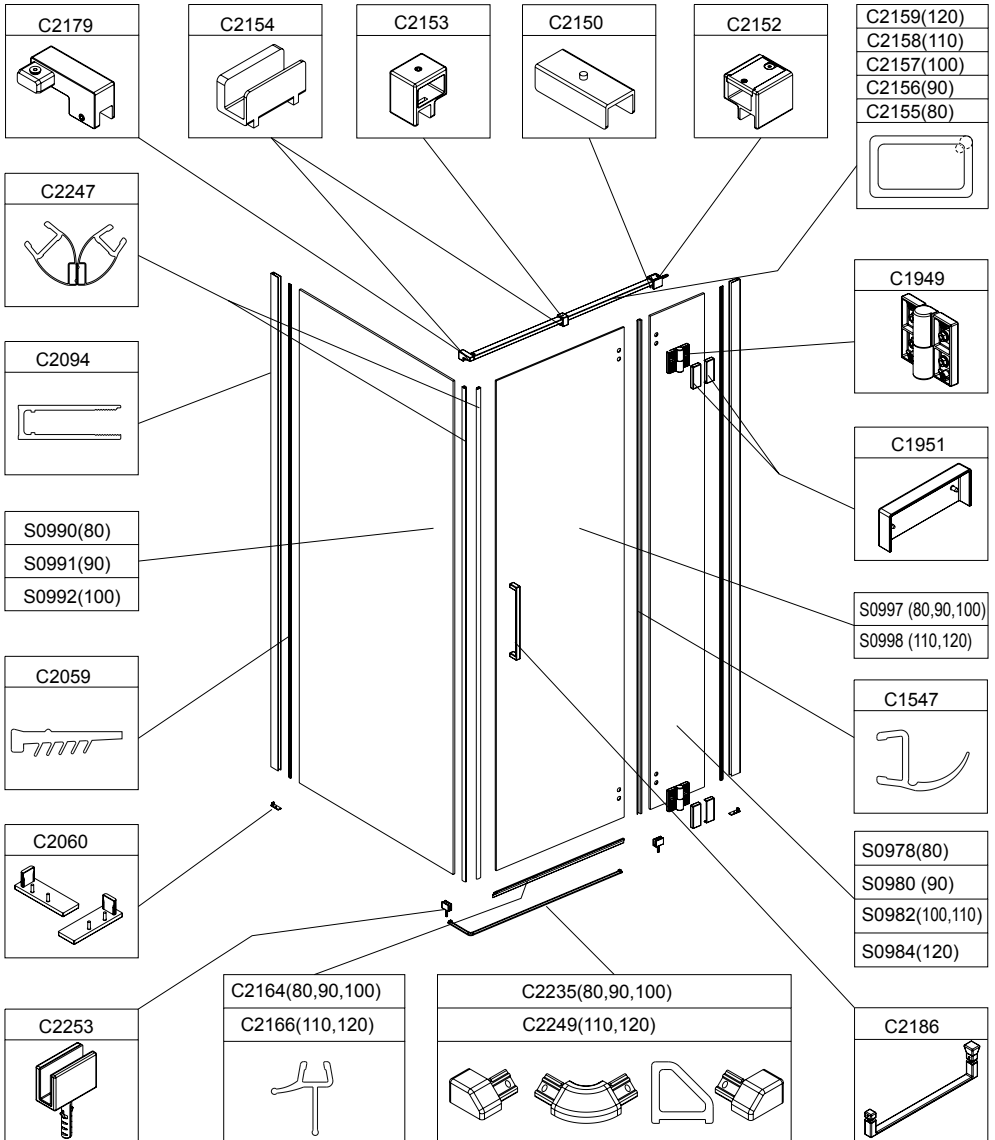


KNDJ2L(P)/SPACE, DJ2L(P)/SPACE, SS2/SPACE

KNDJ2L/SPACE

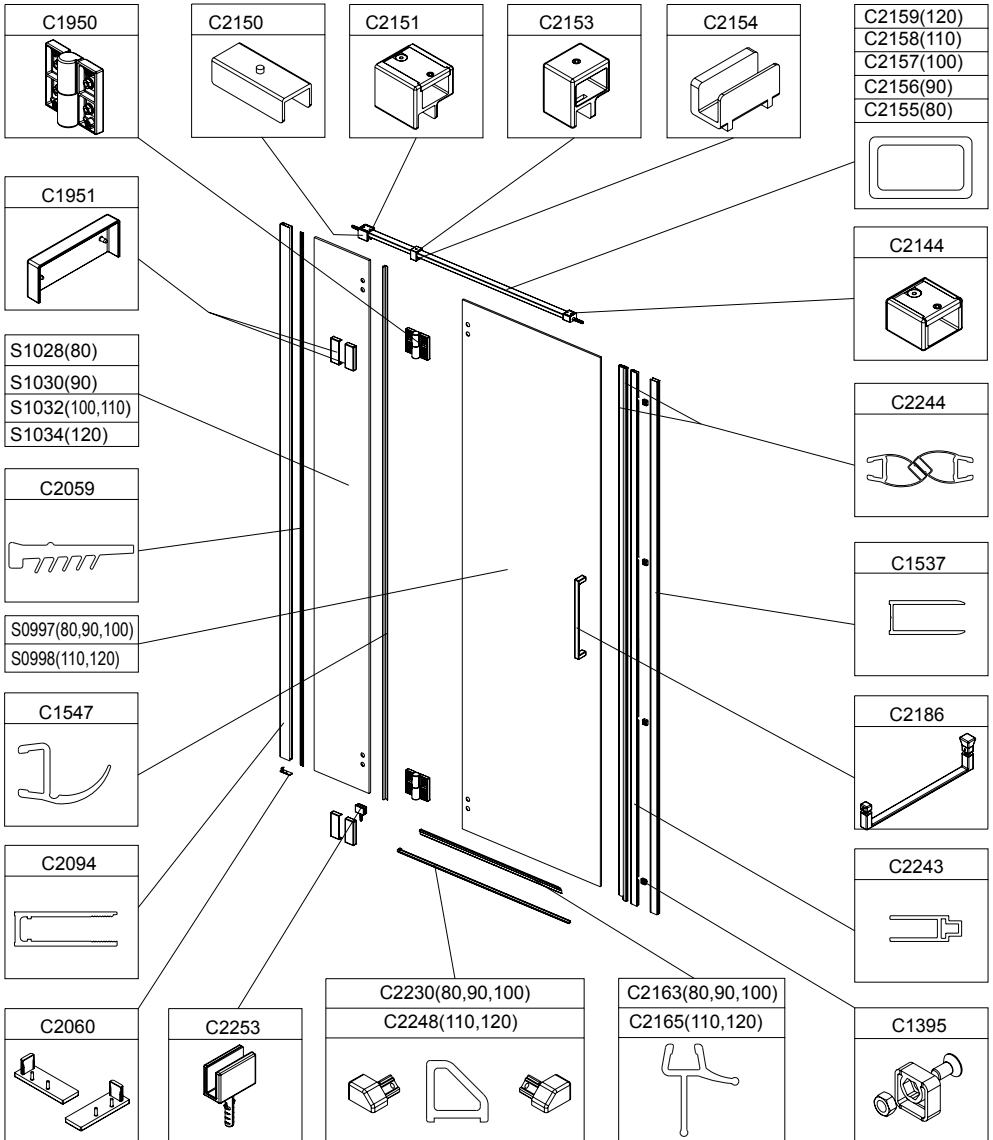


KNDJ2P/SPACE

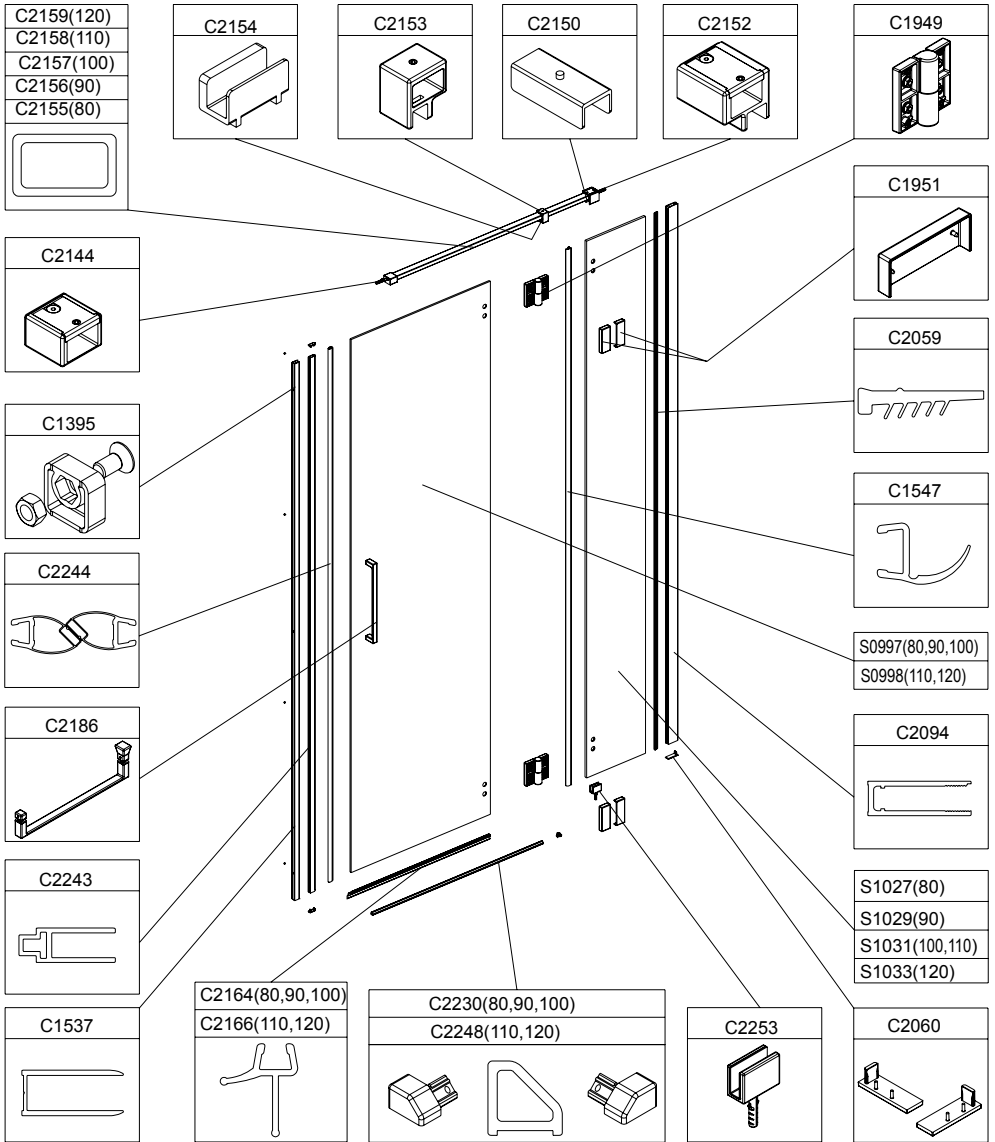


KNDJ2L(P)/SPACE, DJ2L(P)/SPACE, SS2/SPACE

DJ2L/SPACE



DJ2P/SPACE



KNDJ2L(P)/SPACE, DJ2L(P)/SPACE, SS2/SPACE

SS2/SPACE

